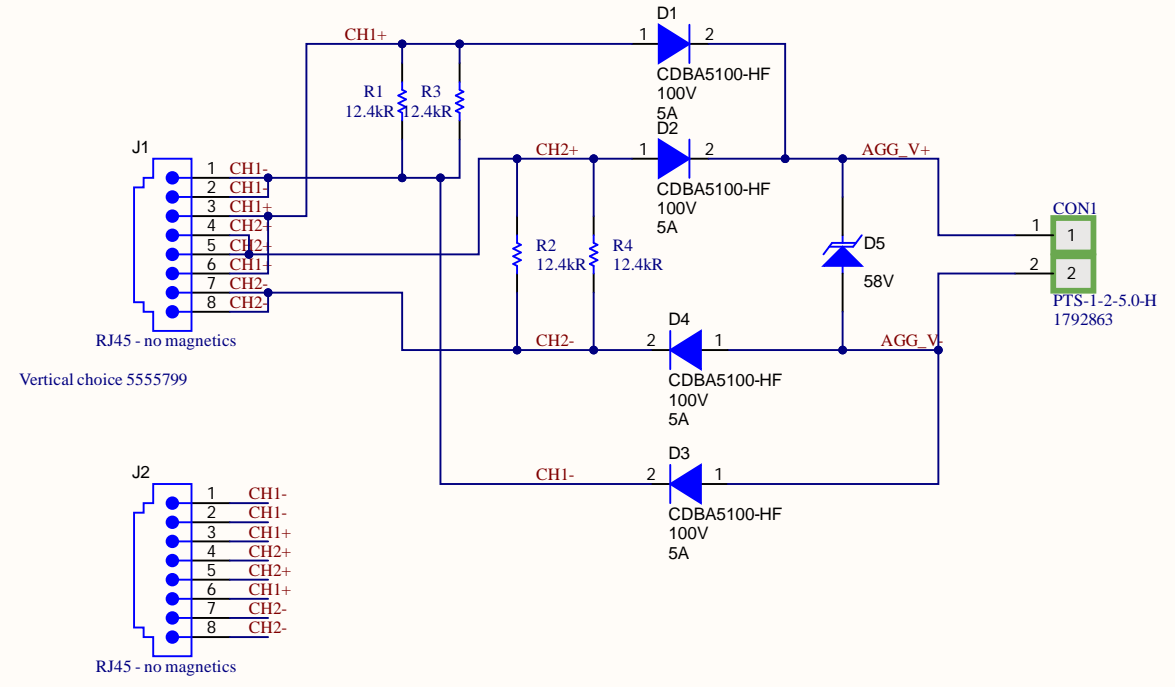


THIS DOCUMENT AND THE DATA DISCLOSED HEREIN OR HEREWITH IS THE PROPERTY OF AMATIS CONTROLS AND MAY NOT BE DISTRIBUTED IN WHOLE OR PART WITHOUT CONSENT

REVISION	DESCRIPTION	DATE	APPROVED

XPD-P1AG

PD Aggregate, 1-output with passthru



X-PoE >=1.1.8
CH1-
CH1-
CH1+
CH2+
CH2+
CH1+
CH2-
CH2-

OUTPUTS
48 +/- 6V
1.8A MAX

TITLE XPD-P1AG			
SIZE B	CAGE CODE	DWG NO.	REV
SCALE:	FILE NAME XPD-P1AG.SchDoc	SHEET 1	OF 1